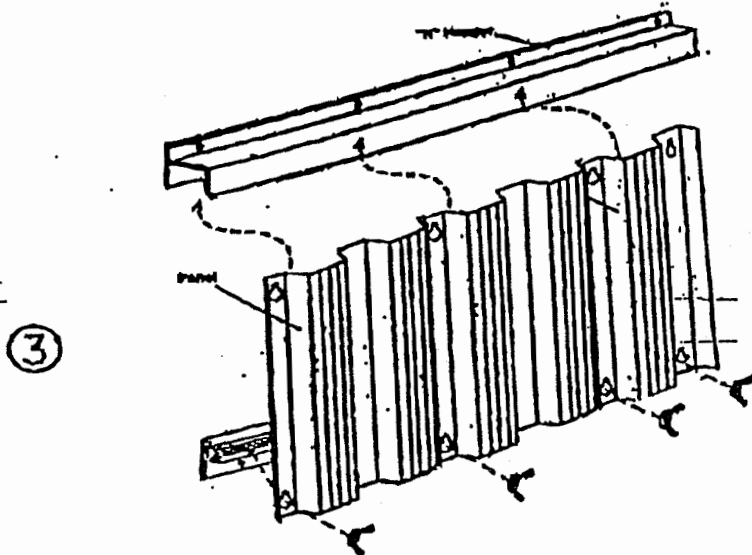
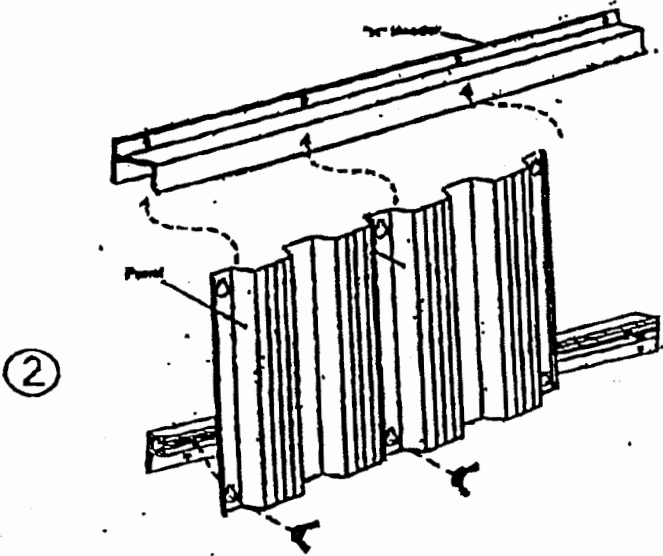
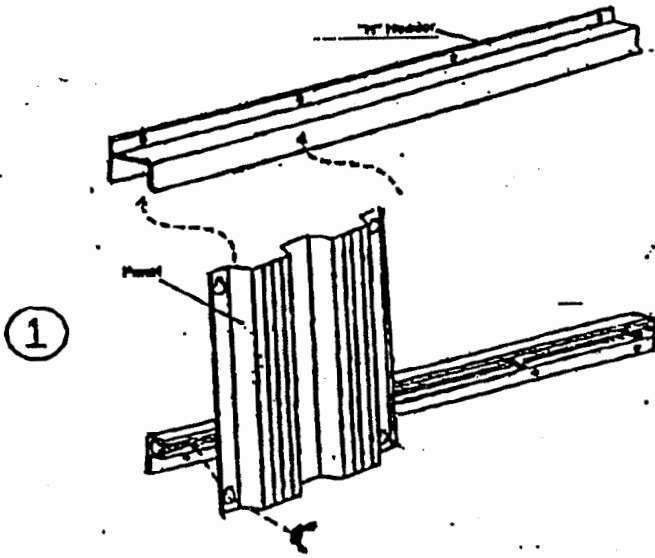


# STORM PANEL INSTALLATION GUIDELINES FOR DIVOSTA HOMES

## SINGLE STORY HOME

- 1) Locate hurricane panel drawing floor plan for your home provided to you at your walk-thru.
- 2) Locate wing-nut package for your home provided to you at your walk-thru. This package will have all the required fasteners for your panels.
- 3) Locate storm panels and stud angles in your garage. Some of your panels and tracks will be in the garage attic.
- 4) Looking at your drawing, all the window and door openings are numbered. The numbers on your drawing will match the numbers on your panels.
- 5) Starting with your shortest panels first, **CAREFULLY** unbolt the lowest strap only. Using the drawing as a guide, spread panels out to applicable windows and doors. Only remove straps as necessary to get to next layer of panels as that they are heavy and could tip over. Your front door will be number # 1.
- 6) Using your bag of hardware begin installing the heads of the hex bolts into the "F" track. The "F" track is the bottom track on your windows. There is a spacing pattern on these bolts so that they will line up with your panels. The first bolt needs to be 1-1/2 inches from the end of the track and every 12 inches after that. On your drawing, if it indicates an opening has a half-panel you will need to place an additional bolt on the right side (outside looking in) at a 6 inch space to bolt the half-panel to the track. (SEE ATTACHED DIAGRAM)
- 7) Begin installing panels on left side (outside looking in). It doesn't matter which end you place into header, there are keyholes in both. Insert panel into header track so that keyholes fit over bolts and fits tight to "F" track. Using one wing-nut, screw down left side only (The panels overlap right wing-nut of each panel so do not put on second wing-nut yet). Taking second panel overlap last wing of first, install left wing-nut. Continue overlapping panels and left wing-nut until panels are all installed. Now screw on last available wing-nut on right side. (SEE ATTACHED DIAGRAM). Move on to next opening.

1st FLOOR STORM PANEL INSTALLATION



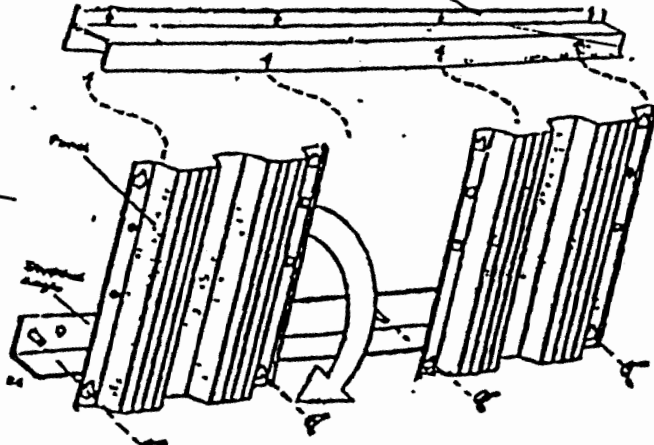
---

**TWO STORY HOME**

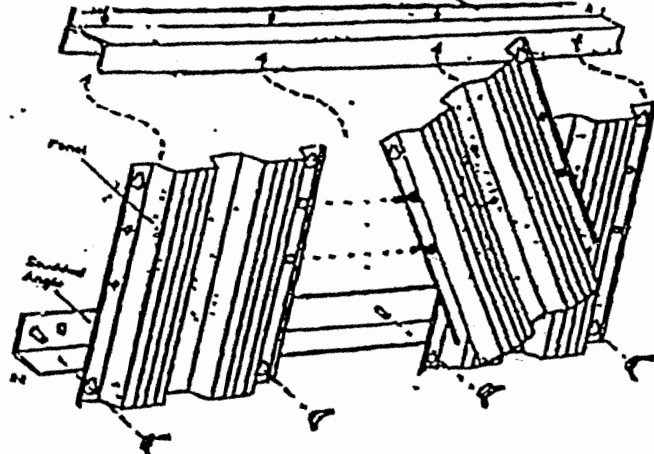
---

- 1) Use your single story diagram to install your first floor.
- 2) Your second floor panels are installed from the inside of your home. Using your drawing locate your panels inside the home by the applicable window. Open your window, and remove your screen. The bottom track on your second floor already has the bolts in it.
- 3) Each window will have one panel that has handles on it. This will be the last panel you put in for each window. Set aside.
- 4) Take a panel and install on left side, into header and place over bolts. Screw wing-nut on outermost bolt only. Follow same procedure for right side, alternating left to right until you only have handled panel left. Finish installing last two wing-nuts on the panels that you have already put on. (SEE ATTACHED DIAGRAM)
- 5) In your hardware bag locate two 1 inch bolts with 1 inch Phillips head and two nuts. Install bolts into side holes of remaining panel with threads coming thru panel on handle side. Screw nuts onto bolts to lock into place.
- 6) Take last panel, with side bolts pointing toward you and holding onto handles, maneuver panel to outside of home thru remaining opening. Insert top into header track and pull panel towards you. The bolts you installed into this panel should fit thru the holes on the left and right panels already installed. Install wing-nuts onto bolts. (SEE ATTACHED DIAGRAM). Move on to next opening.

1



2



3

